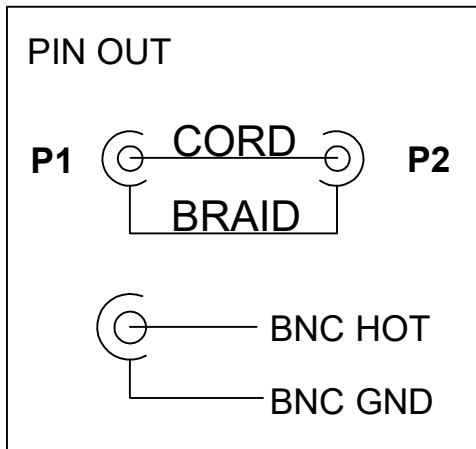


| Part Number | Length(L) | Label contents (D) |
|-----------------|------------------------------------|--------------------|
| BNCPP-58AU0050E | 500 ⁺⁵⁰ ₋₀ | BNCPP-58AU0050E |
| BNCPP-58AU0100E | 1000 ⁺⁷⁵ ₋₀ | BNCPP-58AU0100E |
| BNCPP-58AU0150E | 1500 ⁺⁷⁵ ₋₀ | BNCPP-58AU0150E |
| BNCPP-58AU0200E | 2000 ⁺⁷⁵ ₋₀ | BNCPP-58AU0200E |
| BNCPP-58AU0300E | 3000 ⁺⁷⁵ ₋₀ | BNCPP-58AU0300E |
| BNCPP-58AU0500E | 5000 ⁺¹⁵⁰ ₋₀ | BNCPP-58AU0500E |



| | | | |
|----|-------------|--|-------------|
| F | Copper foil | 4MM*50MM -LF- | |
| E | Inner mold | LDPE -HF- | Transparent |
| D | Tube | UL/CSA Ø1.5 -HF- | Black |
| C | Outer mold | PVC 45P -LF- | Black |
| B | Plug | BNC Male, Soldering type, 50 ohm -LF- | |
| A | Cable | RG58A/U #20*1C(19/0.18)+PE INSULATION+BRAID(16*6/0.12) OD:5.0 -LF- | Black |
| NO | Material | Part NO./Spec. | Color |

| | | | | | |
|-----------|----------|---------|----------|-------------|---------------------------|
| Unit : mm | Approved | Checked | Designer | Description | BNC / M TO BNC / M |
|-----------|----------|---------|----------|-------------|---------------------------|

Part NO: BNCPP-58AUXXXXE